



- FLEXIBLE SCREW CONVEYORS
- SCREW CONVEYORS
- BULK BAG UNLOADERS
- BULK BAG FILLERS

- HORIZONTAL RIBBON MIXERS
- VOLUMETRIC AND GRAVIMETRIC SCREW FEEDERS

## “ HIGH FLOW ” SHAFTLESS SCREW CONVEYORS

Only one conveying system for:  
Powder, Granules, Ground Materials and Mixtures

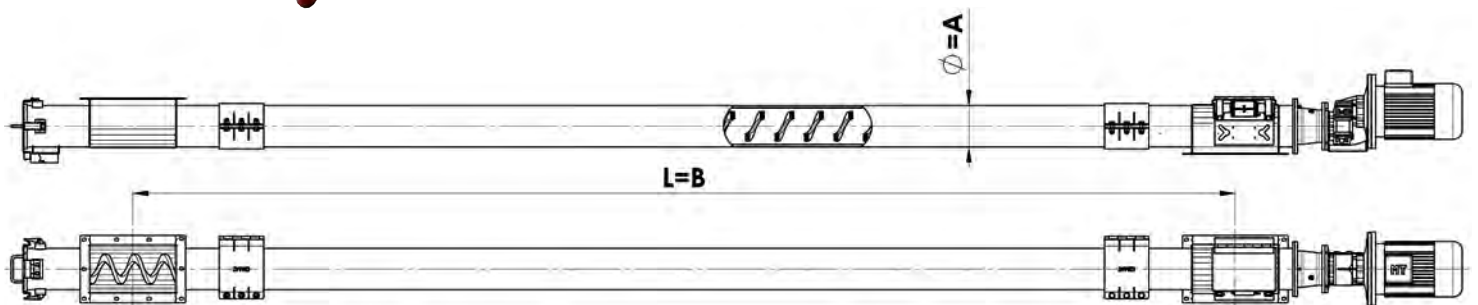
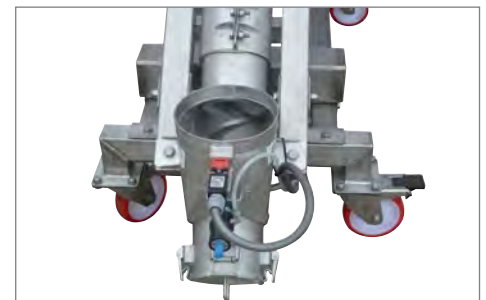
GIMAT presents a **new generation of shaftless screw conveyors** that implements its well known and highly valued range of flexible screw conveyors.

### MAIN ADVANTAGES:

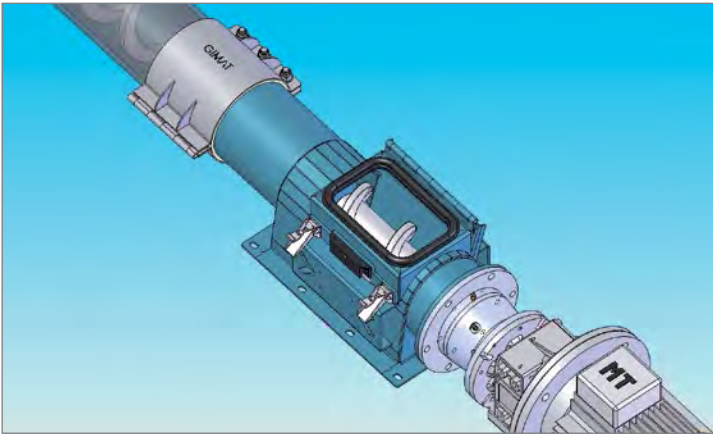
- **Suitable for dosing**, can control feed rate or batch using time.
- **High thickness**, low friction, antistatic and FDA approved outer tube
- **Shaftless Screws** with high resistance sections
- **No intermediate** or end bearings
- **Low Maintenance** and low down time
- High capacity **with low power use**
- **Silent Running**
- **Dust Proof**
- **Avoids demixing**
- **Long conveying distances**
- Suited to **combining in series**
- **Easy and fast** to clean
- **Easy to install** and to adapt on site
- **Atex 94/9/CE** on request



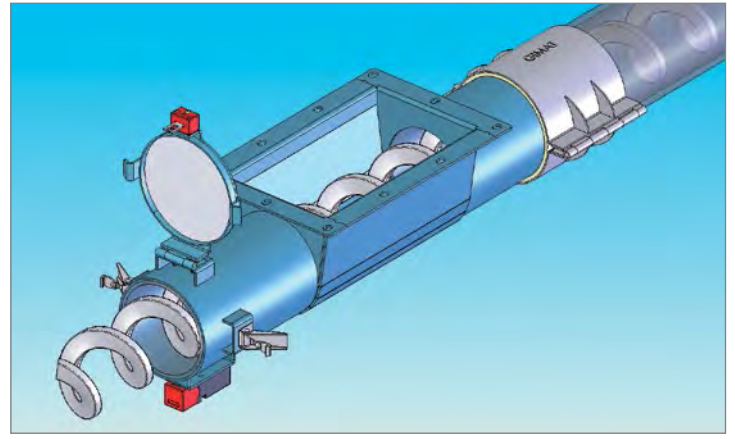
ANTISTATIC AND FDA APPROVED OUTER TUBE



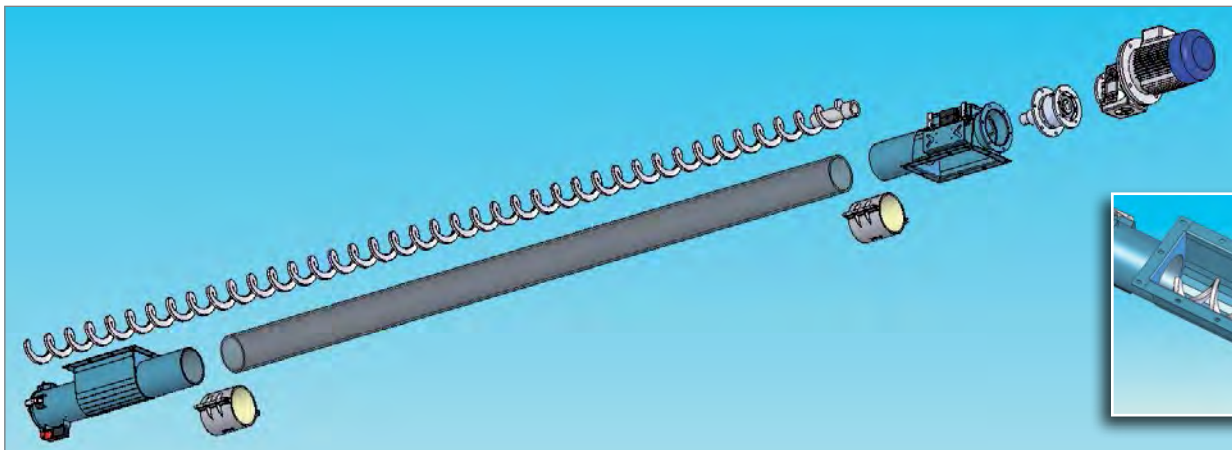
MODEL	Outside Diameter (mm) - A	Max Length ( mm ) - B	Max Capacity (m <sup>3</sup> /h)
MAR. 140	A = 140	12.000	8
MAR. 160	A = 160	12.000	19
MAR. 220	A = 220	12.000	40



HATCH ON DISCHARGE SIDE FOR MAINTANANCE AND CLEANING



HATCH WITH SAFETY SWITCH FOR TUBE EMPTYING, FOR EASY CLEANING AND FOR FAST SCREW EXTRACTION



EXPLODED VIEW



GIMAT srl - Via dell'Artigianato, n°1-17  
40064 Ozzano dell'Emilia (BO) - ITALY  
Tel. + 39 051 799573 (r.a.)- Fax + 39 051 798260

info@gimat.bo.it  
www.gimat.bo.it  
www.gimatengineering.com